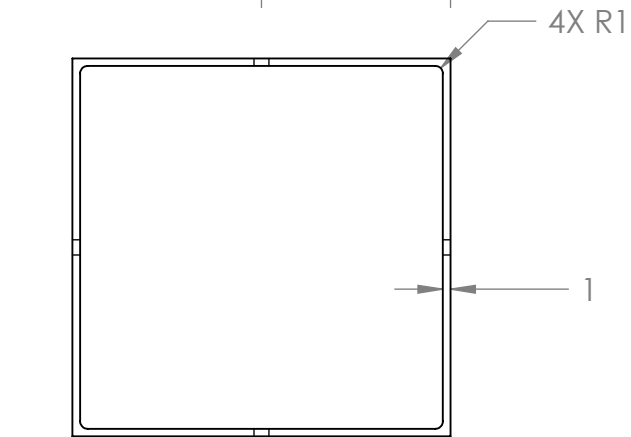
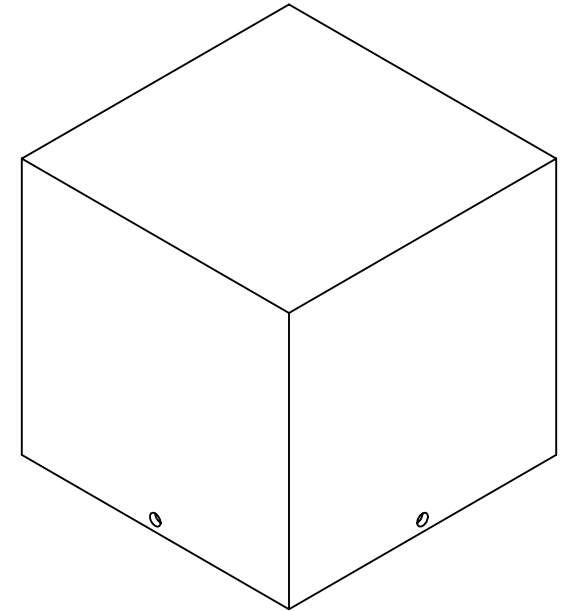
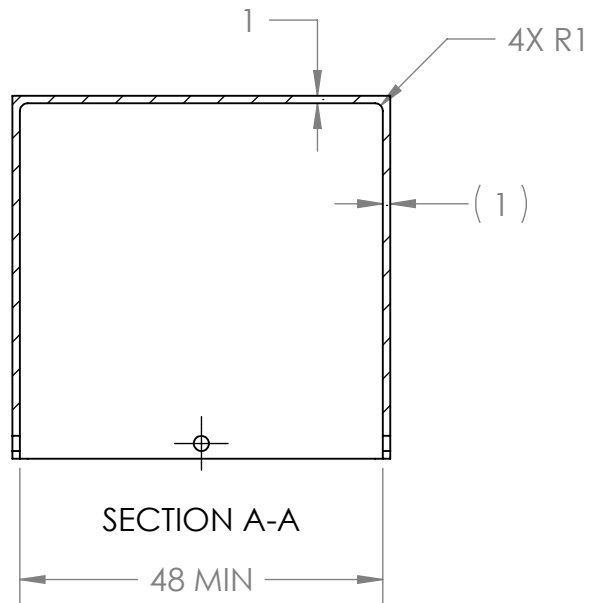
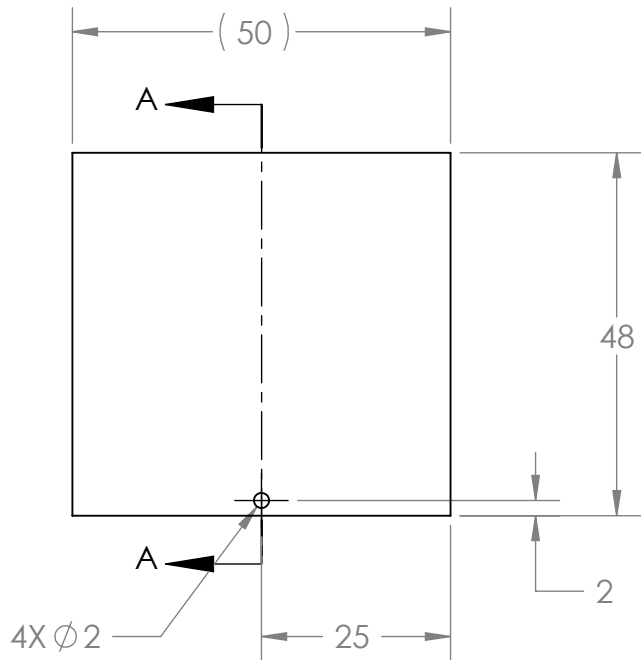


Revision:	Reason:	Date:
1	Added interior radius.	1/24/12
2	2mm thick shell	1/24/12
3	Decided on and improved 1mm shell	3/17/12



PROPRIETARY AND CONFIDENTIAL
 THE INFORMATION CONTAINED IN THIS DRAWING IS THE SOLE PROPERTY OF JP AEROSPACE. ANY REPRODUCTION IN PART OR AS A WHOLE WITHOUT THE WRITTEN PERMISSION OF JP AEROSPACE IS PROHIBITED.

UNLESS OTHERWISE SPECIFIED:		NAME	DATE
DIMENSIONS ARE IN MILLIMETERS	DESIGNED	J Powell	1/23/12
TOLERANCES:	DRAWN	Drew	1/23/12
FRACTIONAL ±	ENG APPR.		
ANGULAR: MACH ±1° BEND ±3°	MFG APPR.		
TWO PLACE DECIMAL ±	Q.A.		
THREE PLACE DECIMAL ±	COMMENTS:		
INTERPRET GEOMETRIC TOLERANCING PER:			
MATERIAL			
FINISH			
DO NOT SCALE DRAWING			

JP Aerospace		
TITLE:		
Mini Cube Shell 1mm Version		
SIZE	PART NO.	REV
A		3
SCALE: 1:1	WEIGHT:	SHEET 1 OF 1